

• FSE660R

73-3/8"L x 50-3/8"D x 60-5/8"H

Included

- Breeze self-contained refrigeration
- Compressor air intake in one side & out other side. All louvered panels cannot be blocked
- Full end panel w/mirror interior
- LED 4000K top light(s)
- One year parts & labor; 5 year compressor warranty
- Price tag molding (matches interior color)
- Removable deck pans provide complete access to evaporator coil & refrigeration connections
- Warmest average product temperature of 40°F or less

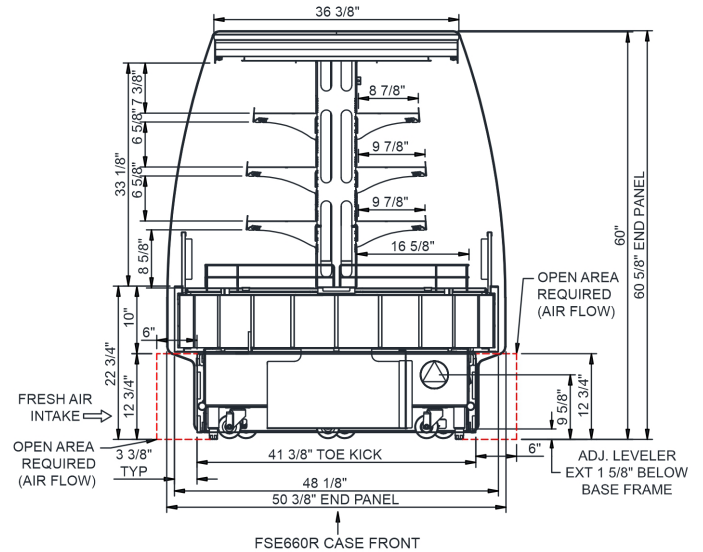
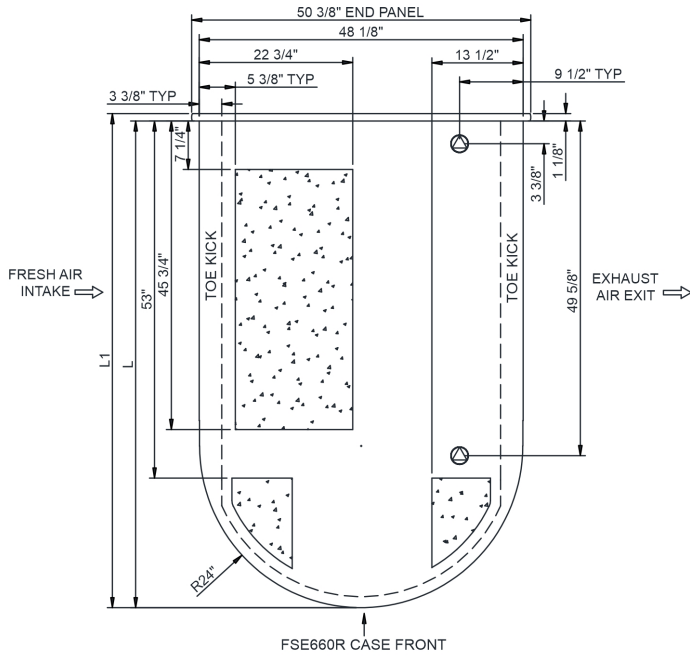


Specify	Standard Features	Additional Options
EXTERIOR COLOR	• Laminate (stock colors)	• Laminate (non-stock colors) • Stainless steel
INTERIOR COLOR	• Powder coated Silversan Black	• Stainless steel
LOWER FRONT PANEL COLOR	• Powder coated Silversan Black	• Stainless steel (must choose stainless exterior)
BASE SUPPORT	• Casters w/ levelers	
VINYL GRAPHICS	• None	• Full wrap graphic set
SHELVING	• Non-adjustable metal shelves, non-lighted	• Non-adjustable metal shelves, lighted (LED 4000K)
ELECTRICAL CONNECTION	• 6' Straight blade power cord	• 6' Locking blade power cord
REFRIGERATION	• Breeze self-contained refrigeration	
MISCELLANEOUS		• Second year parts & labor warranty (excludes compressor)

Intended Environment: Type I - Designed to operate in ambient conditions of 75°F with 55% relative humidity unless noted otherwise in system information below.		
Zone	Intended Product To Be Displayed	Warmest Avg Prod Temp ° F
1	Packaged refrigerated products	40

PLAN VIEW

SIDE VIEW



NOTE: ALL DIMENSIONS APPROXIMATE

- ELECTRICAL JUNCTION BOX (SUPPLIED WITH 6" LEADS OR POWER CORD).
- LOCATION OF DRAIN TUBE FOR REMOTE REF. ONLY (SUPPLIED WITH 3/4" OR 1 1/2" PVC TUBE).

- REFRIGERATION LINE CONNECTION.
- REMOTE FLOOR SINK & UTILITIES ACCESS AREA.

- SELF-CONTAINED CASE SERVICE ACCESS AREA.
- DRY CASE SERVICE ACCESS AREA.

Model Technical Specifications																
Model	L"	L1"	L2"	System	Circuit Volts	Phs	Freq	Amps ***	Watts	Wires	NEMA Plug	SST	Conv. Rack BTUH	Para. Rack BTUH	Est Wt	
FSE660R	N/A	73.38	.00	Self-Contained (R290)	Circuit #1	208-240	1	50-60	19.89	3,925	2+G	6-30P or L6-30P	N/A	N/A	N/A	1,550

*** Does not include electric defrost on freezer models.

Regulatory Approvals:

All Models
 Accordance with AHRI Std 1200
 ETL Listed to UL 60335-2-89
 ETL Sanitation to NSF/ANSI 7



In Accordance with
AHRI Std 1200

DOE 2017
 Energy Efficiency
 Compliant

Important Notes:

- 1) ELECTRICAL NOTE: If GFCI is required, a GFCI breaker MUST be used in lieu of a GFCI receptacle
- 2) Compressor air side intake and side discharge
- 3) 50" minimum door entry clearance required (without shipping skid).
- 4) Performance issues (product temperatures, water on floor, etc.) caused by adverse conditions are not covered by warranty.
- 5) Keep unit at least 15' from exterior doors, overhead HVAC vents, or any air curtain disruption.
- 6) End panels must be tightly joined or kept at least 6" away from any structure to prevent condensation.
- 7) Do not expose unit to direct sunlight or any heat source (ovens, fryers, etc.).

⚠ WARNING: This product can expose you to chemicals, including Urethane (Ethyl Carbamate), which are known to the State of California to cause cancer and birth defects or other reproductive harm. For more information go to www.P65Warnings.ca.gov.